

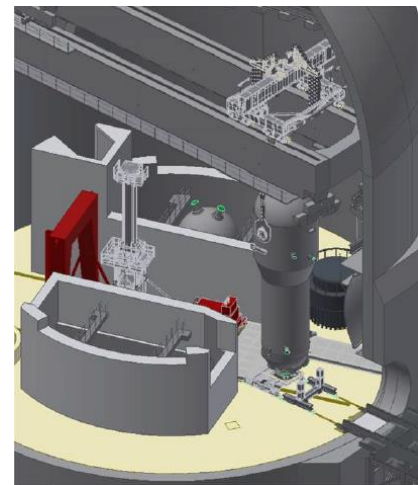
Engineering Services

SARENS NUCLEAR & INDUSTRIAL



DISCOVER OUR SCOPE

- Our experienced and driven engineering team is dedicated to solving the most complex problems while providing a single-source technical solution to our clients. Now coupled with state-of-the-art fabrication and machining capabilities, our services extend even broader to satisfy our customer needs.
- Sarens Projects Engineering department is innovating constantly and strives for continuous improvement. Not only when it comes to finding technical solutions for projects we are asked to support, but also in terms of the tools we use to shape these solutions. The Sarens Projects Engineering team has a wide range of equipment, software, and features that they utilize to ensure customer needs are met. Our machining and fabrication capabilities enhance our deliverable capabilities.



KEY BENEFITS

- Turnkey technical solutions provider
- Design, modification, and implementation of the best solutions provide lowering internal costs and allow our customers to benefit by ultimately lowering their costs
- Whether using customer-supplied specifications or our engineered solutions, our services are flexible. We can accommodate changing design parameters throughout the project
- Full compliance with industry and customer standards, processes, procedures, specifications, and quality requirements
- Engineering, fabrication, and machining of our own specialty equipment and customer requested parts or components
- Proven industry experts with over 60 years of experience providing engineering technical solutions
- Safety integral to our designs and risk-averting methodologies utilized
- Serving Utilities, Oil & Gas, Renewables, Industrial, Pharmaceutical, Automotive, Decommissioning, Pulp and Paper, Food Processing, Small Modular Reactors, Transmission and Distribution, Heavy Civil Construction, Department of Energy, National Laboratories, and others

Safety – Everyone Committed
Global Presence, Customer Focused, Technically Innovative and Adaptive

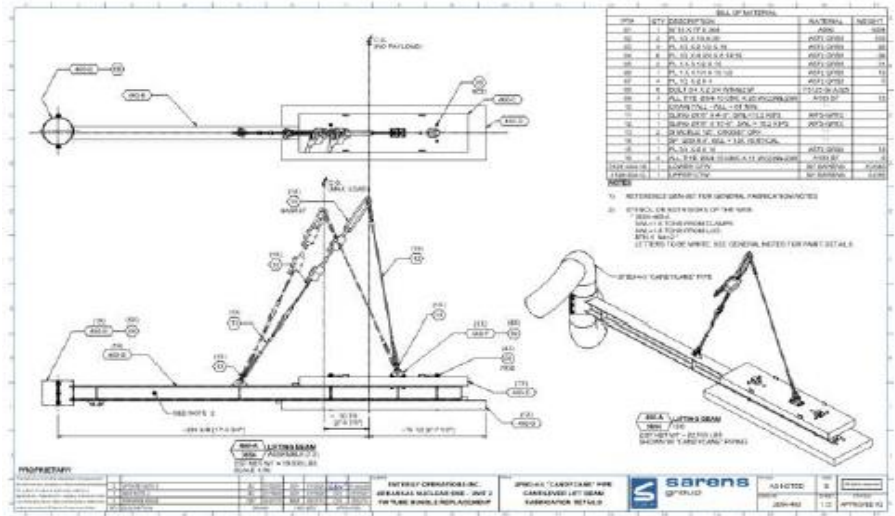
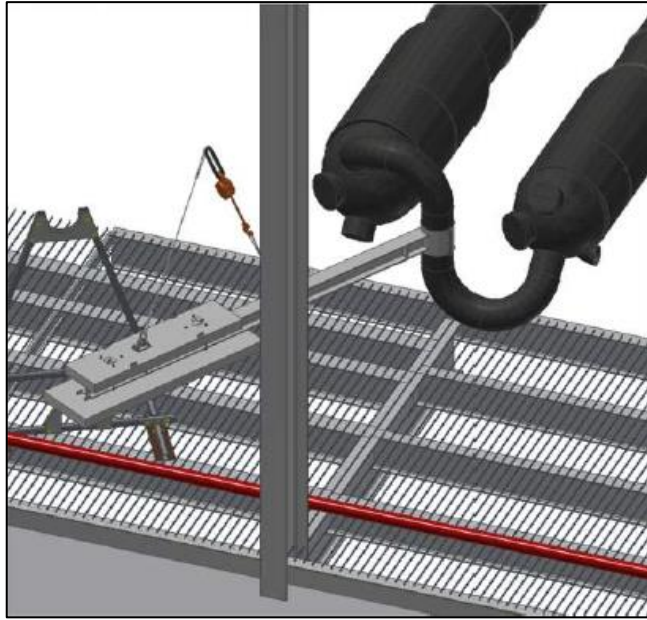
Sarens Nuclear & Industrial
Services

1430 S. Goodland Rd
Hartford, WI 53027
(414) 299 – 0858
Nuclear@sarens.com



ENGINEERING SERVICES

- State-of-the-art Trimble 3D scanner capabilities of creating point-cloud data with measurements to the thousands of an inch/mm
- 2D AutoCAD drawing
- 3D SolidWorks drawing/models
- 3D Animation
- Engineering Risk Assessments and Analyses
- Civil Structural
- Mechanical
- Cranes and Rigging Engineering
- Structure Analyses (Ansys)
 - Seismic-Spectra
 - Seismic-Time History
 - FEA
- Failure Modes Effects Analysis (FMEA)
- Obsolescence – Engineered and new design/build
- ASME, ANSI, AISC, AWS, NUREG code compliant design and fabrications
- Like for Like, Commercial Grade
- Dedication to critical characteristics
- Project Management services from conceptual design to completion



PARTNERSHIPS & TEAMING AGREEMENTS



Sarens Nuclear & Industrial Services
 1430 S. Goodland Rd
 Hartford, WI 53027
 (414) 299 – 0858
 Nuclear@sarens.com

